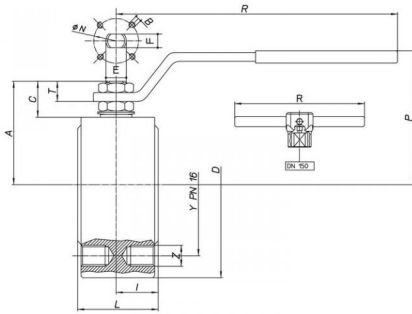


Kompaktflansch-Kugelhahn PN 16 aus C-Stahl ASTM A105, mit vollem Durchgang, TA-Luft Option: Atex geprüft, fire-safe, totraumfrei

1	Body	Gehäuse	ASTM A105
2	End connection	Ring	ASTM A105
3	Ball	Kugel	A351-CF8/A182-F304
4	Ball seats	Kugeldichtung	P.T.F.E
5	Ring	O - Ring	FKM (Viton)
6	Thrust washer	Spindelscheibe	P.T.F.E
7	Ring	O - Ring	FKM (Viton)
8	Stem seat	Spindeldichtung	P.T.F.E
9	Packing gland	Vorspannring	Carbon steel
10	End stop	Anschlagscheibe	INOX AISI 430 & Carbon steel
11	Spring washer	Tellerfeder	Carbon steel
12	Nut	Mutter	Carbon steel
13	Stem	Spindel	A182-F304
14	Handle	Handhebel	Carbon steel
15	Handle DN 150-200	Handhebel DN 150-200	Carbon steel
16	Screw	Schraube	Carbon steel
17	Screw	Schraube	Carbon steel
18	Body handle DN 150-200	Hebelaufnahme DN 150-200	EN-GJL-250



D	mm	90	100	110	130	140	150	175	190	220	250	300
Y	mm	65	75	85	100	110	125	145	160	180	210	240
Z		4xM12	4xM12	4xM12	4xM16	4xM16	4xM16	4xM16	8xM16	8xM16	8xM16	8xM20
I	mm	19	20	24	28	31.75	41	51.5	61	76	98	116
L	mm	35	40	46	54	63.5	82	103	122	152	196	232
R	mm	131.5	131.5	174.5	174.5	250.5	250.5	321.5	321.5	381.5	381.5	700
P	mm	64.5	69	80.5	84.5	102.5	111	128	138.5	156.5	178.5	237
A	mm	47	51.5	61	64.5	78	87	104.5	115	137	159	201.5
C	mm	15.5	15.5	19.5	16.5	24.5	25	28	28	34.5	34	51.5
T	mm	9	9	11.5	11.5	13	13.5	18	18	22	22	30
E	mm	10	10	12	12	16	16	20	20	24	24	42
F	mm	7	7	8	8	10	10	14	14	18	18	30
N	mm	32	32	42	42	50	50	70	70	102	102	125
B		4xM5	4xM5	4xM5	4xM5	4xM6	4xM6	4xM8	4xM8	4xM10	4xM10	4xM12
KV	mm	16.3	29.5	43	89	230	265	540	873	1390	1707	2024
PN	bar	16	16	16	16	16	16	16	16	16	16	16
GW	kg	1.3	1.9	2.7	4.2	5.9	8.7	15.5	20.5	34.2	38	62